

THIS DRAWING IS UNPUBLISHED. RELEASED FOR PUBLICATION
 © COPYRIGHT BY TYCO ELECTRONICS CORPORATION. ALL RIGHTS RESERVED.

LOC	DIST	REVISIONS					
FT	0	P	LTR	DESCRIPTION	DATE	DWN	APVD
			0	RELEASED	10/22/03	SS	CR

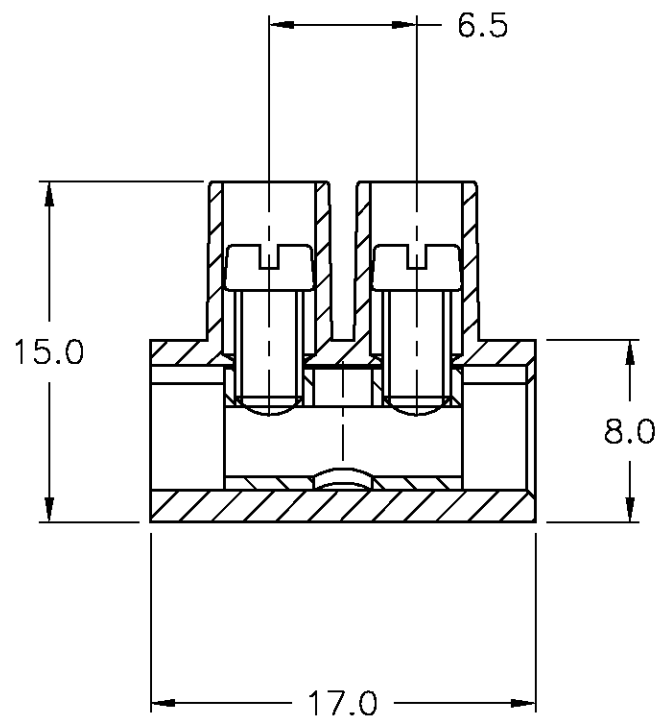
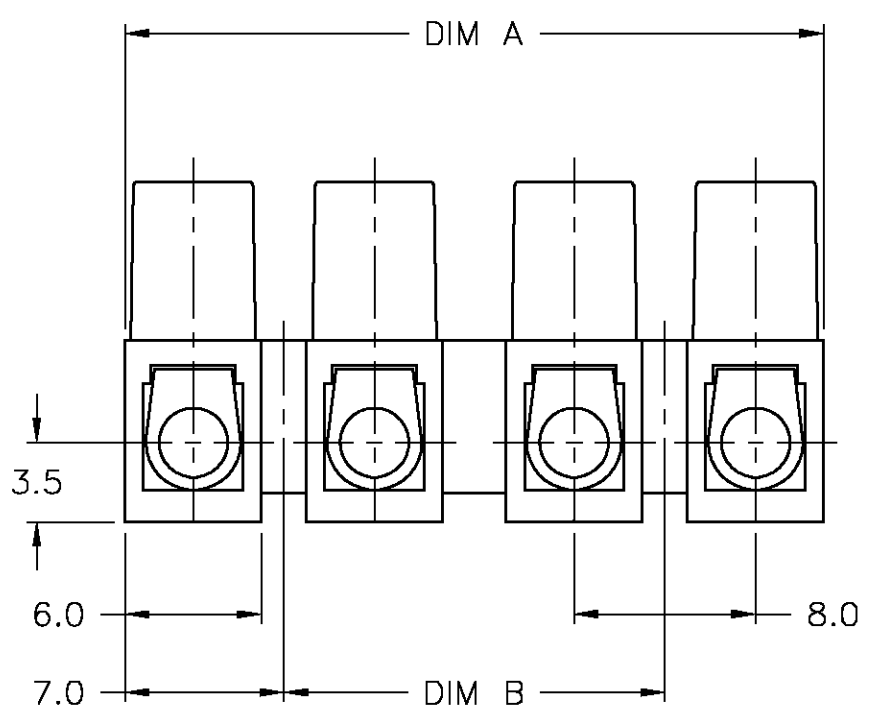
NOTES:

MATERIALS:
 HOUSING: POLYAMIDE 6, UL94V-0, COLOR: NATURAL.
 TUBULAR CONTACT: BRASS, TIN PLATED.
 SCREW: M3, STEEL, ZINC PLATED W/ CHROMATE.

MECHANICAL:
 PITCH: 8.0mm
 WIRE STRIP LENGTH: 5mm
 MIN. WIRE PULL OUT: 75 LBS.
 RECOMMENDED TIGHTENING TORQUE: 5 IN-LB.

ELECTRICAL PROPERTIES:
 MAXIMUM CURRENT: 30A
 OPERATING VOLTAGE: 250V
 WIRE RANGE: 12-24 AWG
 DIELECTRIC WITHSTAND: 3000V

ENVIRONMENTAL PROPERTIES:
 CONTINUOUS WORKING TEMP: -35°C TO +100°C



80.0	94.0	12	TSB230 12	1437388-2
72.0	86.0	11	TSB230 11	-
64.0	78.0	10	TSB230 10	4-1437429-4
56.0	70.0	9	TSB230 09	9-1437387-7
48.0	62.0	8	TSB230 08	9-1437387-5
40.0	54.0	7	TSB230 07	-
32.0	46.0	6	TSB230 06	9-1437387-2
24.0	38.0	5	TSB230 05	9-1437387-0
16.0	30.0	4	TSB230 04	8-1437387-8
8.0	22.0	3	TSB230 03	8-1437387-6
-	14.0	2	TSB230 02	8-1437387-4
-	6.0	1	TSB230 01	8-1437387-3
DIM B	DIM A	NO. OF POS.	CATALOG NUMBER	PART NUMBER

THIS DRAWING IS A CONTROLLED DOCUMENT.		DWN	22OCT03		 Tyco Electronics Corporation Harrisburg, PA 17105	
DIMENSIONS: MM		CHK	10/22/03			
TOLERANCES UNLESS OTHERWISE SPECIFIED:		APVD	10/22/03			
0 PLC ± - 1 PLC ± .3 2 PLC ± .25 3 PLC ± - 4 PLC ± - ANGLES ± -		NAME	C RICHARD			
MATERIAL		PRODUCT SPEC	8.0mm PITCH, 30A, W/ TUNNEL CONNECTION			
FINISH		APPLICATION SPEC	EUROPA TERMINAL BLOCK			
-		WEIGHT	SIZE	CAGE CODE	DRAWING NO	RESTRICTED TO
-		-	A3	00779	C-8-1437387-3	-
CUSTOMER DRAWING					SCALE	SHEET
					NTS	1 OF 1
					REV	0